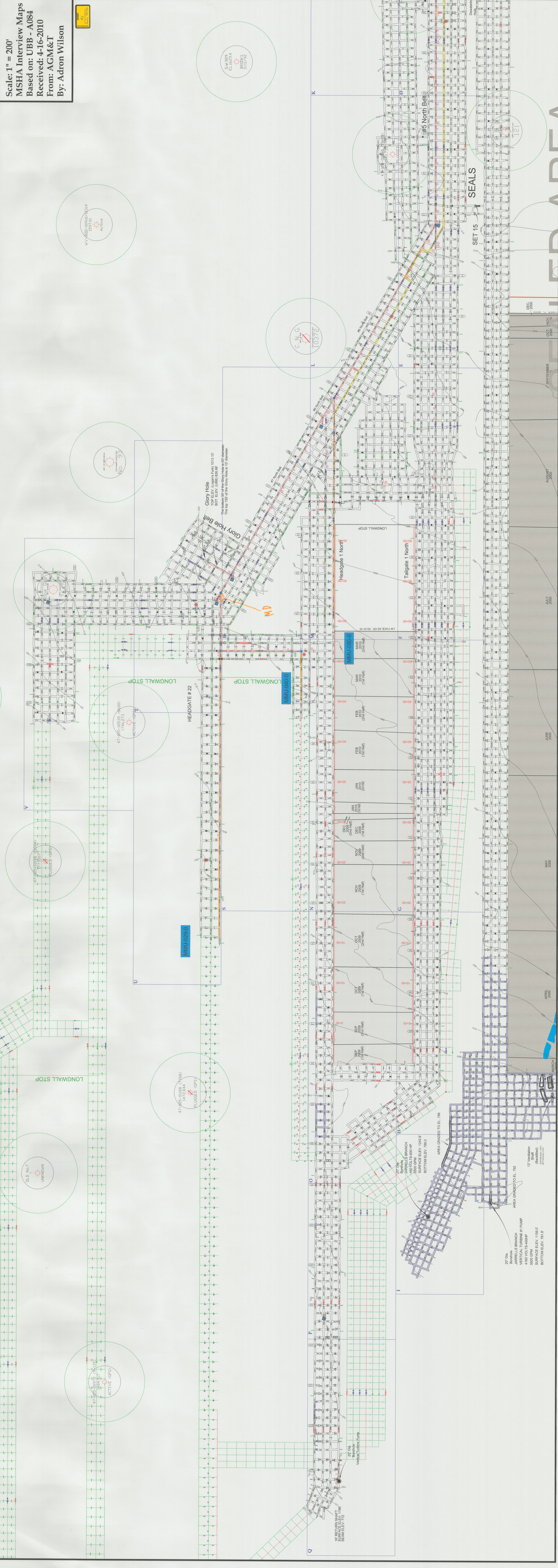
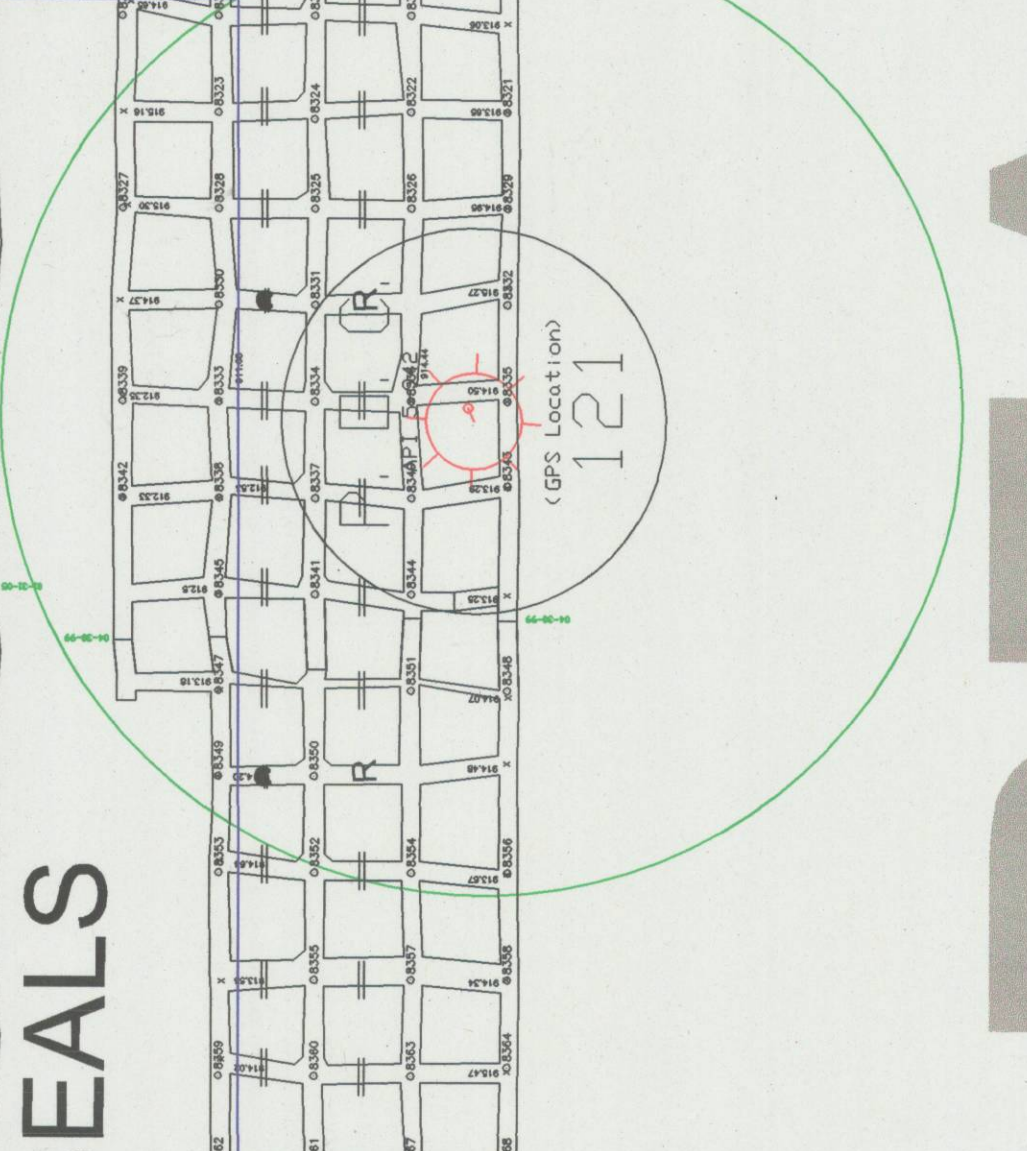
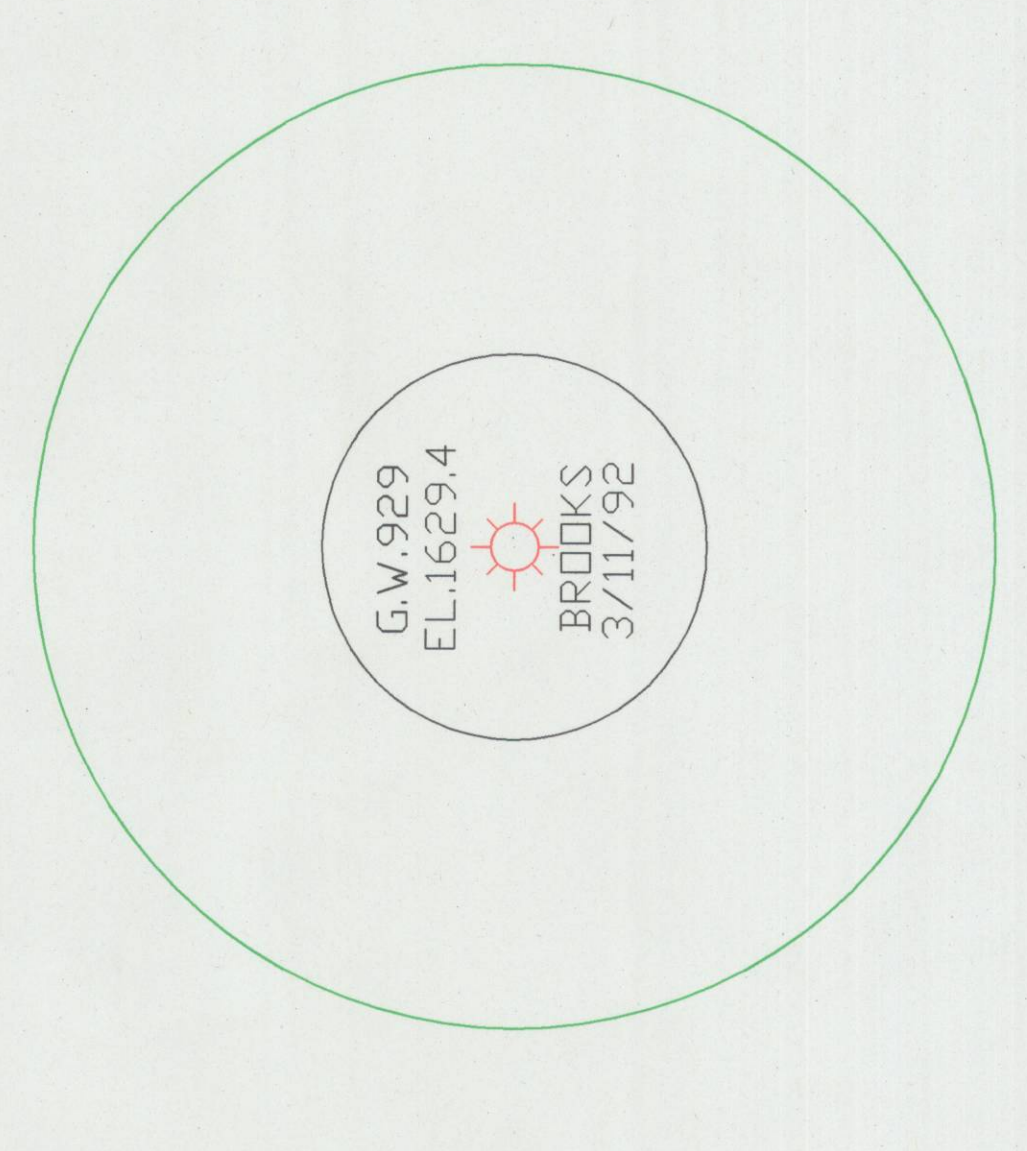
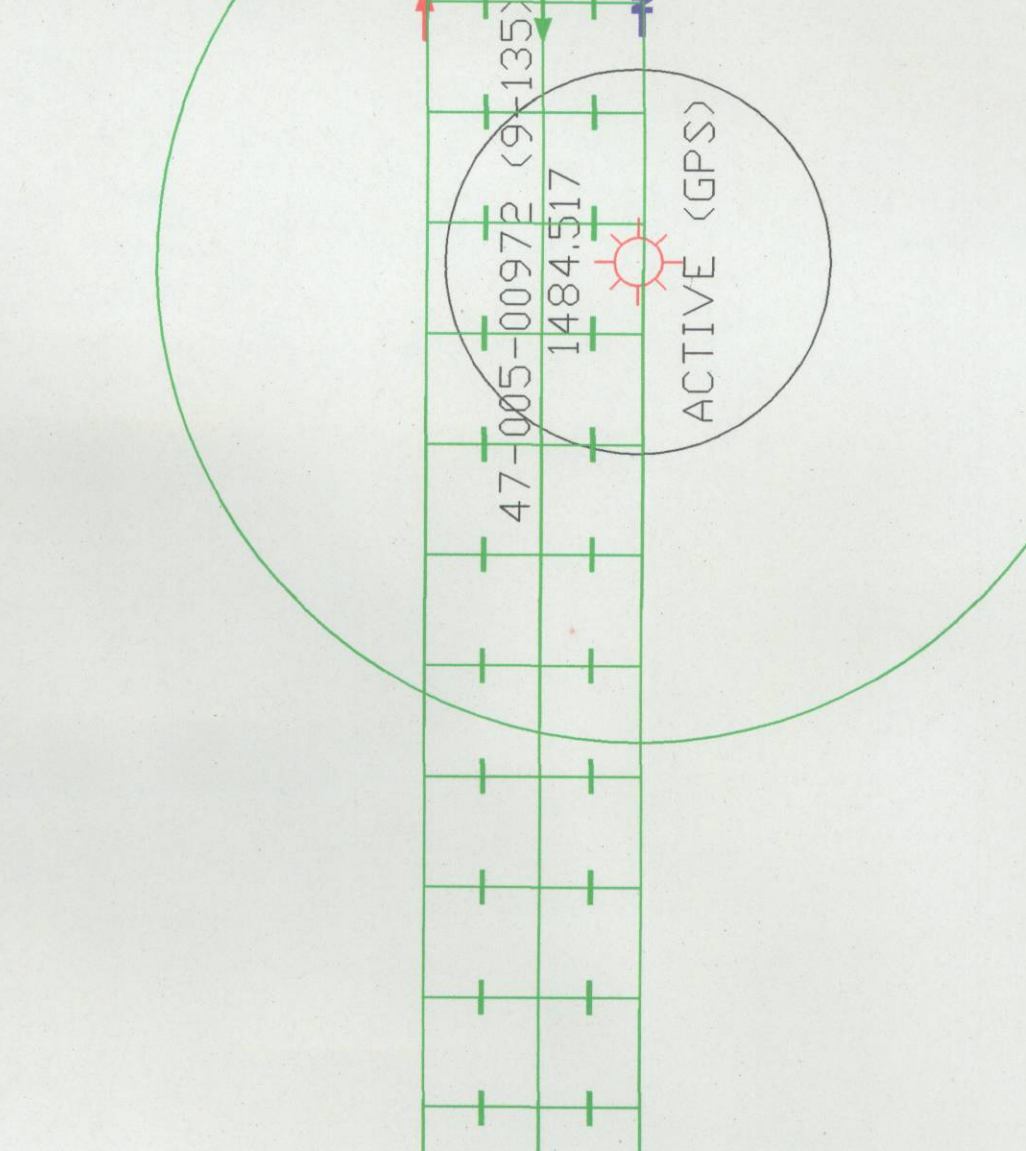
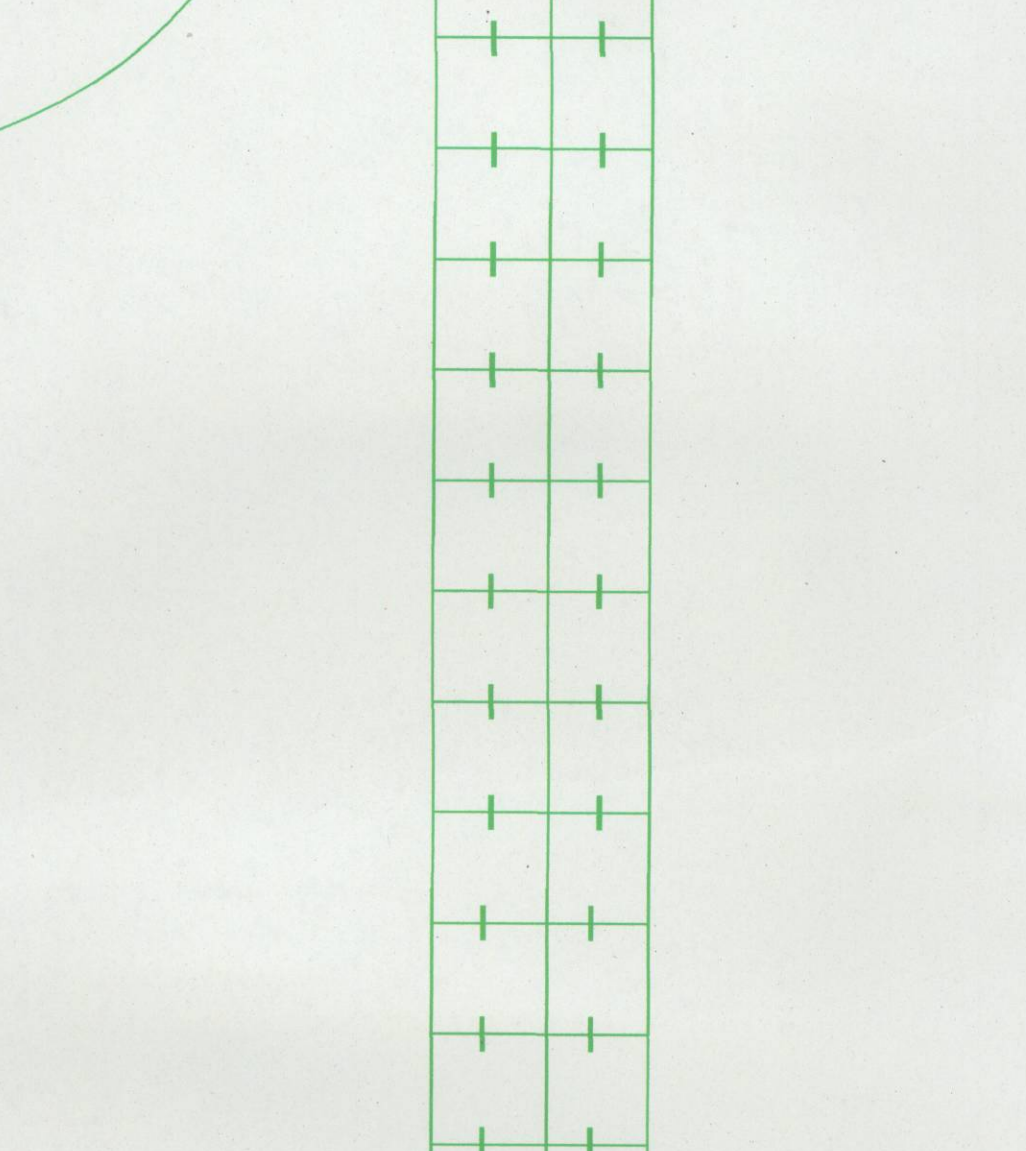
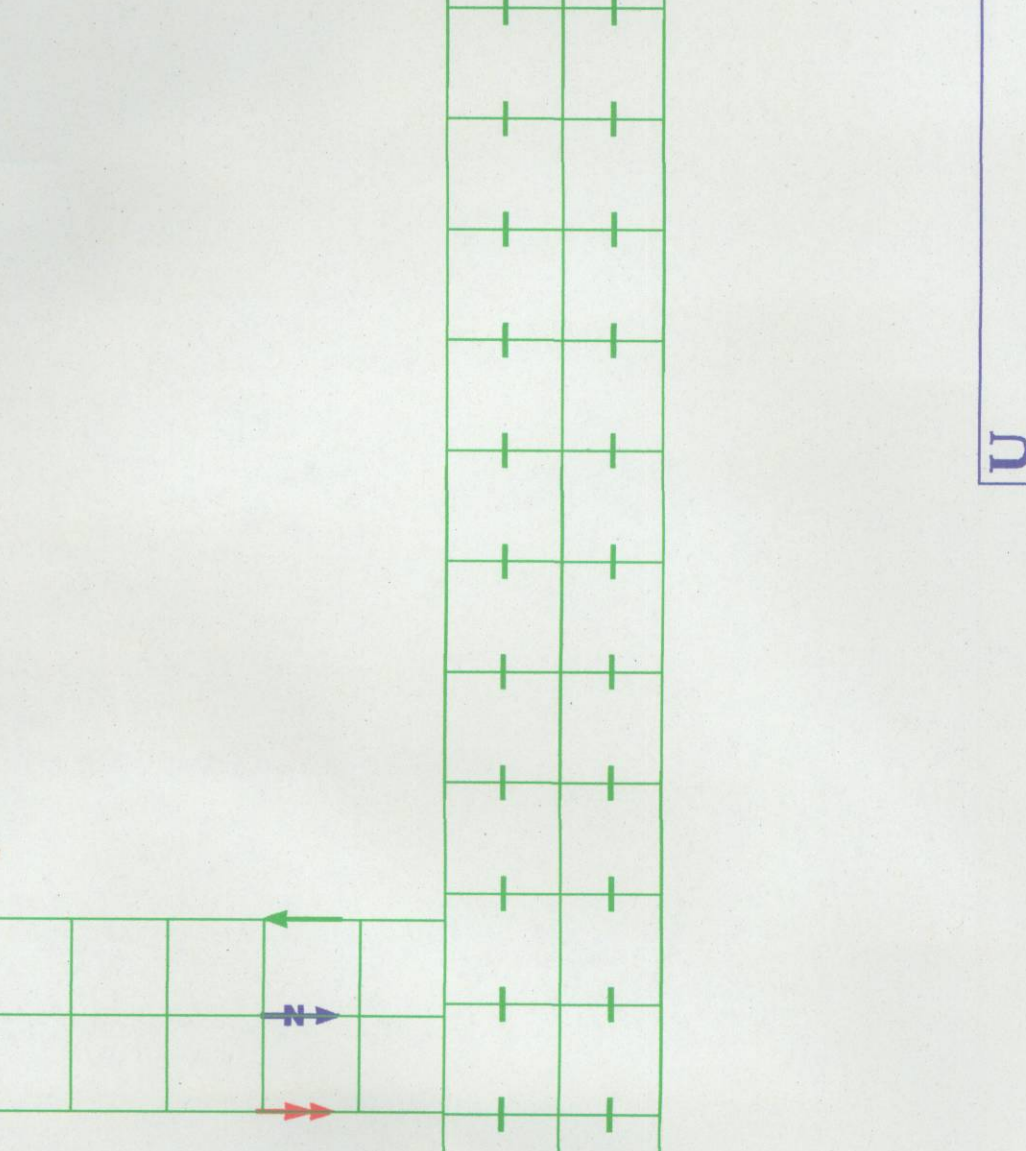
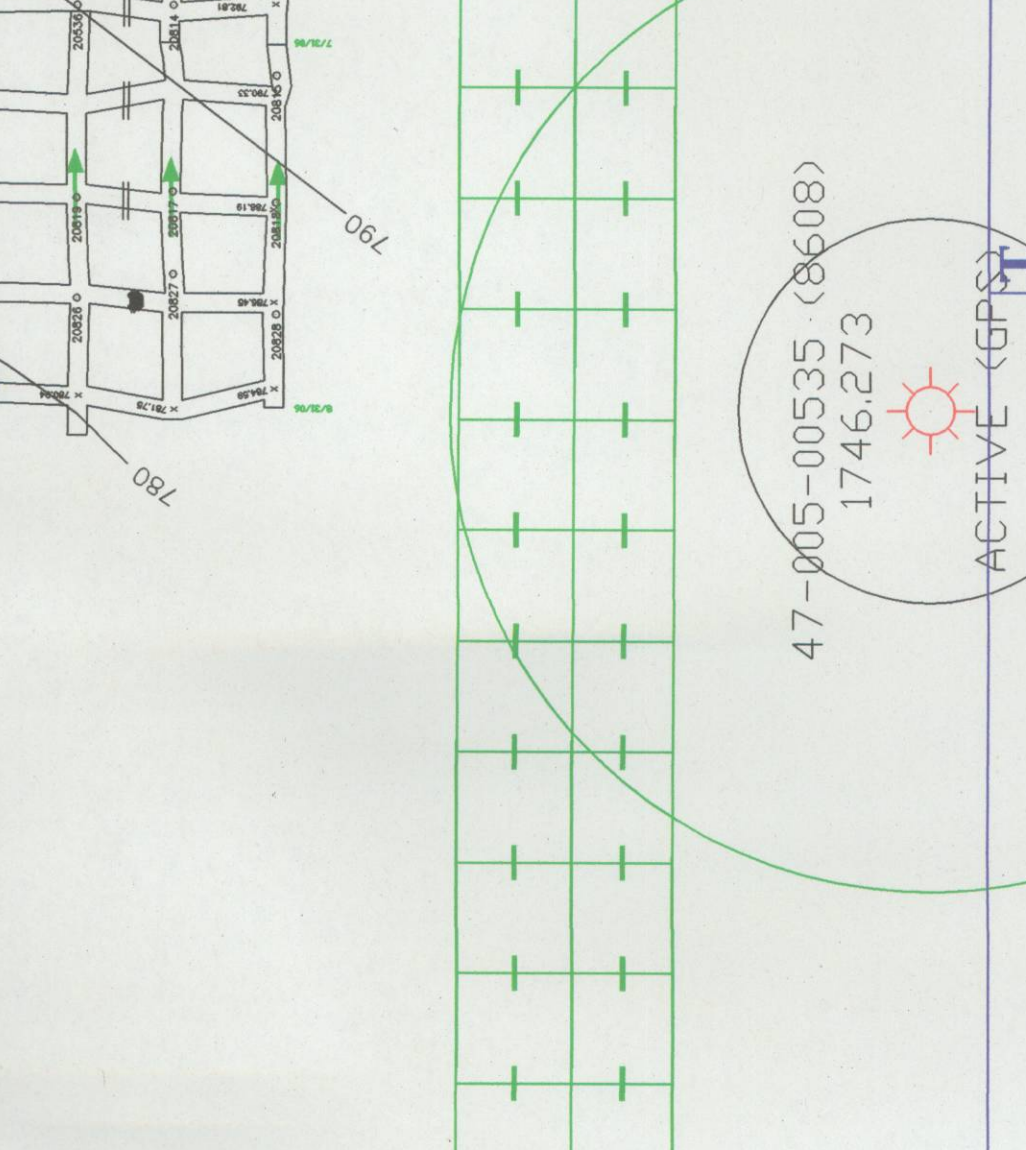
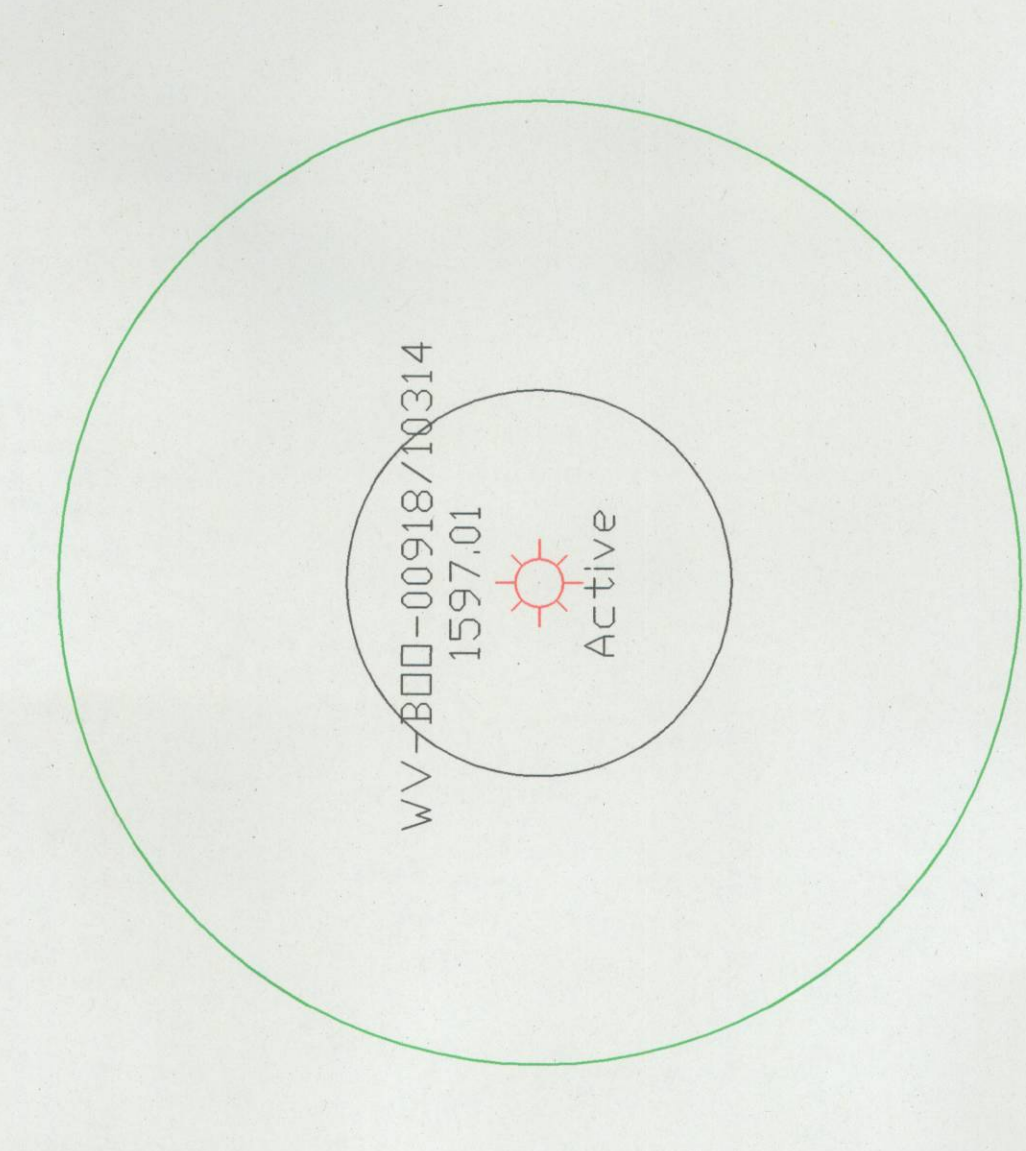


Scale: 1" = 200'
 MSHA Interview Maps
 Based on: UB8B - A084
 Received: 4-16-2010
 From: AGM&T
 By: Adron Wilson



20" Dia. Ventilation Pump
 20" Dia. Ventilation Pump
 20" Dia. Ventilation Pump

JARRELLS BRANCH
 SURFACE ELEV. 1186.0'
 BOTTOM ELEV. 791.8'

JARRELLS BRANCH
 SURFACE ELEV. 1245.9'
 BOTTOM ELEV. 788.0'

JARRELLS BRANCH
 SURFACE ELEV. 1186.0'
 BOTTOM ELEV. 791.8'

JARRELLS BRANCH
 SURFACE ELEV. 1186.0'
 BOTTOM ELEV. 791.8'

JARRELLS BRANCH
 SURFACE ELEV. 1186.0'
 BOTTOM ELEV. 791.8'

JARRELLS BRANCH
 SURFACE ELEV. 1186.0'
 BOTTOM ELEV. 791.8'

NOV 2000
 OCT 2000
 SEPTEMBER 2000
 AUGUST 2000
 JULY 2000
 MAY 2000